



BZ-2RQ172-A2



Actual product appearance may vary.

BZ Series Standard Basic Switch, Single Pole Double Throw Circuitry, 15 A at 125 Vac, Overtravel Plunger Actuator, 2,5 N - 3,61 N [9 oz - 13 oz] Operating Force, Gold Contacts, Screw Termination, CE, CSA, DEMKO,

Features

- Accepted world-wide standard "Large Basic" switch
- Low operating force and differential travel
- Long mechanical life up to 20,000,000 cycles at 95% survival
- Elongated mounting hole for easier, more accurate mounting
- Current rating ranges from 15 A to 25 A
- Choice of actuation, termination and operating characteristics

Potential Applications

- Irrigation systems
- Semi-trailer trucks
- Timing devices
- Office equipment
- Test instruments
- Medical/dental equipment
- HVAC equipment
- Manually operated devices
- Valves

Description

MICRO SWITCH™ BZ/BA Series standard basic switches are used for simple or precision on/off application needs.

Product Specifications	
Switch Type	MICRO SWITCH™ Standard 25,4 mm H x 17,8 mm W x 50,8 mm L [1.0 in H x 0.7 in W x 2.0 in L]
Sealed	No
Ampere Rating	1 A
Circuitry	Single Pole Double Throw (SPDT)
Actuator	Overtravel Plunger
Termination	Screw
Operating Temperature Range	-55 °C to 85 °C [-67 °F to 185 °F]

Voltage	125 Vac
Approvals	CE,CSA,UL
Contact Type	Gold
Operating Force (O.F.)	2,5 N - 3,61 N [9.0 oz - 13.0 oz]
Release Force (R.F.)	1,11 N [4.0 oz] min.
Pretravel (P.T.)	0,38 mm [0.015 in] max.
Overtravel (O.T.)	5,56 mm [0.219 in] min.
Differential Travel (D.T.)	0,01 mm - 0,05 mm [0.0004 in - 0.0020 in]
Operating Position (O.P.)	21,82 mm \pm 0,76 mm [0.859 in \pm 0.030 in]
Material	Plastic
Housing Material	General Purpose Phenolic
High Temperature	204 °C [400 °F]
CE mark	61058-1
UL File #	E12252
CSA File #	LR41370
Agency Approvals and Standards	1054
Mounting Screw Size	3,53 mm [0.139 in]
Mounting Centers	25,4 mm [1 in]
Maximum Tightening Torque	0,33 N m [3.0 in lb]
Weight	39 g [0.086 lb]
Package Height	24,1 mm [0.95 in]
Package Width	17,5 mm [0.69 in]
Package Length	49,3 mm [1.94 in]
Recommended For	Applications requiring gold alloy contacts
Availability	Global
UNSPSC Code	30211905
UNSPSC Commodity	30211905 Snap switches
Series Name	BZ/BA/WA/YZ

MICRO SWITCH

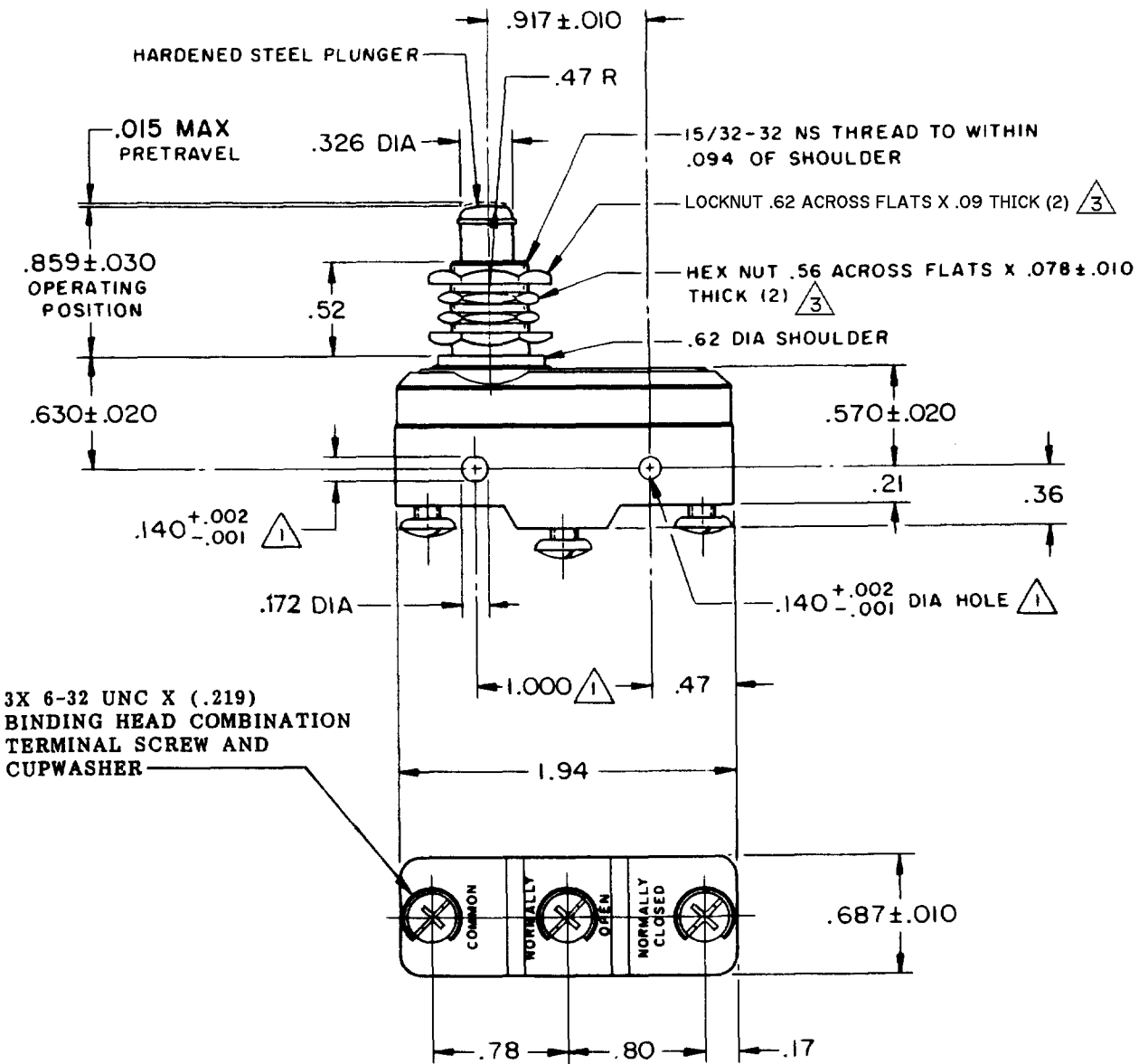
FREERPORT ILLINOIS, U.S.A
A DIVISION OF HONEYWELL
FED. MFG. CODE 91929

SWITCH - BASIC

CATALOG LISTING
BZ-2RQ172-A2

ALK4300

BZ-2RQ172-A2
 PAGE 1 OF 1
M
 DRAWING NUMBER
 ISSUE 7
 REVISIONS
 A 0031578 JAH 23 JAN 79
 B CO-73287-J JAL 22 NOV 93
 C CO-77589 KDR 29 MAR 94
 D CO-82133 CSL 31 JUL 96
 E C093346 DLT 19 AUG 98
 F 0015540 KSR 07OCT05
 GCH 15 DEC 69
 RASTER
 0-50376-1A
 DRAWN
 CHECK
 LSP
 17 DEC 69
 CHECK
 RFS
 16 DEC 69
 CHECK
 RJS
 07OCT05
 RELEASE NO. PR-1024
 REPLACES



NOTES

- (1) MOUNTING HOLES WILL ACCEPT PINS OR SCREWS OF .139 MAX DIA ON 1.000 ± .002 CENTERS
- 2 CONTACT MATERIAL - GOLD ALLOY
- (3) HARDWARE FURNISHED UNASSEMBLED

THIS DRAWING COVERS A PROPRIETARY ITEM AND IS THE PROPERTY OF MICRO SWITCH, A DIVISION OF HONEYWELL. THIS DRAWING IS NOT TO BE COPIED OR USED WITHOUT THE APPROVAL OF MICRO SWITCH.

CHARACTERISTICS	ELECTRICAL DATA	SCALE FULL
OPERATING FORCE ----- 9 - 13 OZ	CONTACT ARRANGEMENT S P D T	DO NOT SCALE PRINT
RELEASE FORCE ----- 4 OZ MIN	-L22- 1A - 125 VAC	UNLESS OTHERWISE NOTED
DIFFERENTIAL TRAVEL ----- .0004 - .0020	-L288- -L315 -L307-	DIMENSIONS ARE IN INCHES
OVERTRAVEL ----- .219 MIN	CE SP 05 RU 1A 250V ~ T85 25E3	TOLERANCES ARE:
		ONE PLACE (.0) ± .030
		TWO PLACE (.00) ± .015
		THREE PLACE (.000) ± .005
		ANGLES ±
		WEIGHT .094 LB